



## 1. DESCRIPTION

Dance pole »LUPIT POLE« is to be used for exercise, dance and fitness. It is used as a utility and support for pole dancing and exercising different dancing elements and fitness.

The pole is made of high polished INOX to enhance a good grip. Other parts are made of still covered with anti corrosion metal (chrome) or powder brushed.

LUPIT POLE has been designed for quick installation without drilling.

## 2. WARNINGS

Installation and use of the pole is your own responsibility!

Possible damage of the walls, ceiling, floor and other furniture while installation and use are responsibility of the person who installs the pole.

We do not recommend the use of the pole to pregnant women, children and people with spine injuries.

Before the installation please check:

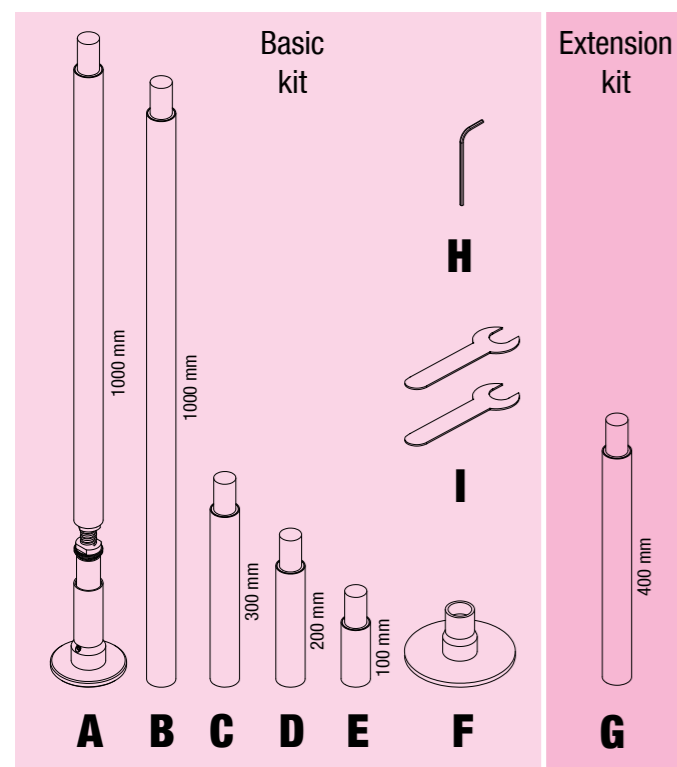
- The floor must be dry and flat.
- The ceiling must be flat.
- The plasterboard ceiling is not recommended unless it is very strong and extra reinforced
- Make sure the upper disk will not cover or interfere with air vent, electrical joint box, and alarm or fire alarm devices.
- The height must be greater than 200 cm and less than 320 cm.

## 3. PACKAGE AND CONTENTS

»LUPIT POLE« comes in single package: packing soft foam dumpers and carton cover. Diameter of the poles is 42 mm.

Contents:

- Base pole (1000mm) with lower disc bearing and distance regulating system and spin block system. **A**
- 1x 1000mm main pole with integrated joints **B**
- 1x 300mm pole extension with integrated joints **C**
- 1x 200mm pole extension with integrated joints **D**
- 1x 100mm pole extension with integrated joints **E**
- Upper disc assembly with bearings. **F**
- 1x 400mm pole extension with integrated joints **G** (optional – not included in a standard package)
- Allen spin-block HEX key **H**
- 2x special key tool used for height adjustment, securing the nut and un-tightening the pole extension joints if necessary. **I**
- User's manual and assembling instructions. **J**



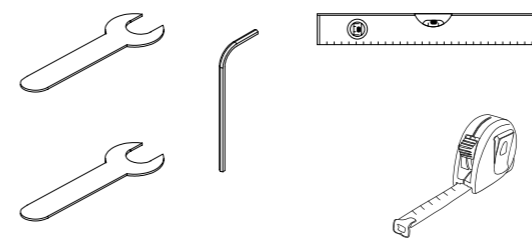
LUPITPOLE (CLASSIC & DIAMOND) HEIGHT CALCULATOR						
BASIC KIT						
ceiling height						
h	from 2100 mm to 2200 mm	from 2200 mm to 2300 mm	from 2300 mm to 2400 mm	from 2400 mm to 2500 mm	from 2500 mm to 2600 mm	from 2600 mm to 2700 mm
	A+B+F	A+B+E+F	A+B+D+F	A+B+C+F	A+B+C+E+F	A+B+C+D+E+F
assembly parts - basic kit						

LUPITPOLE (CLASSIC & DIAMOND) HEIGHT CALCULATOR			
EXTENSION			
ceiling height			
h	from 2800 mm to 2900 mm	from 2900 mm to 3000 mm	from 3000 mm to 3100 mm
	A+B+G+C+F	A+B+G+C+E+F	A+B+G+C+D+F
assembly parts - basic kit + extension			

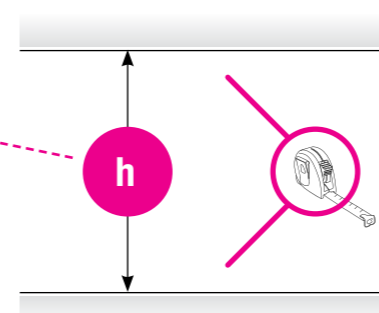
Optional extension 1 x extra 400 mm extensions for up to 3200 mm

## 4. INSTRUCTIONS FOR ASSEMBLY AND USE

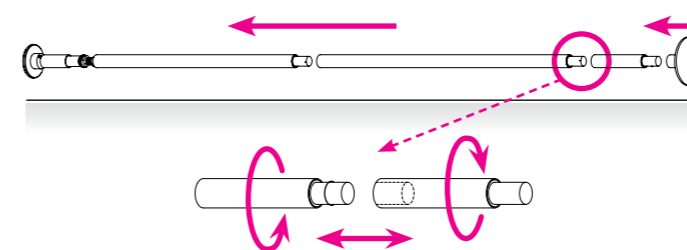
### 4.1 - Prepare tools



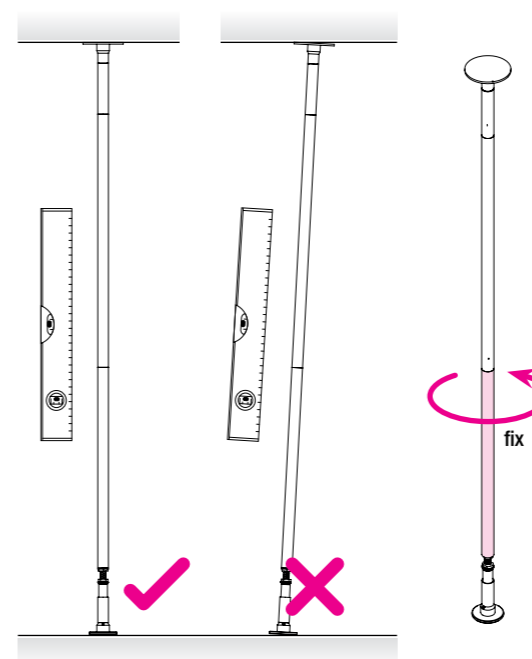
### 4.2 - Measure the height of the ceiling



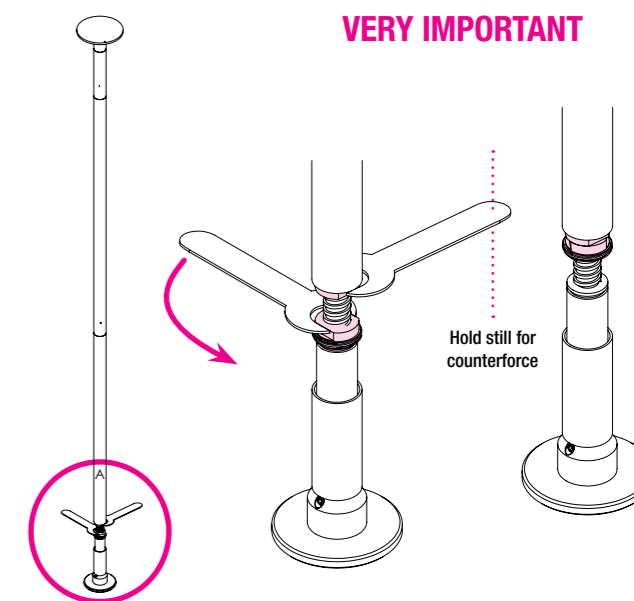
### 4.3 - Assemble all parts on the floor for your ceiling height and lift it into vertical position



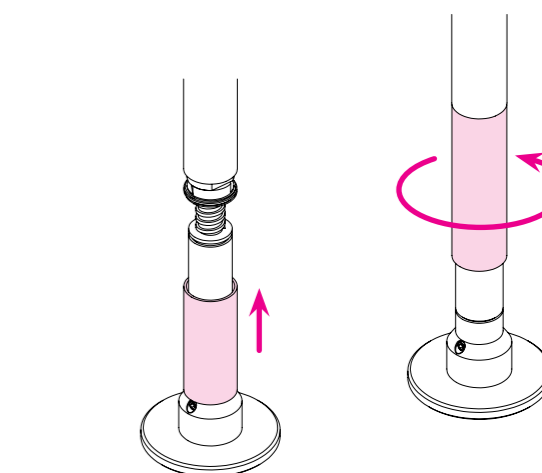
### 4.4 - Level and fix the pole in vertical position



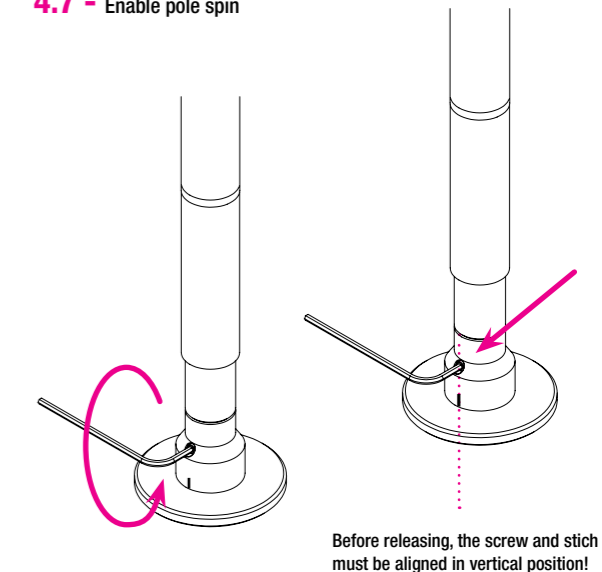
### 4.5 - Final fix of the pole



### 4.6 - Fix mask with hands



### 4.7 - Enable pole spin



## CLEANING & MAINTENANCE:

### Cleaning:

- The pole is made of stainless steel and polished. Soft cotton cloth or micro-fiber cloth for cleaning used with pure water, alcohol based or soft window cleaning detergents are recommended.

### Maintenance:

- Replacement of the spin block HEX screw (M6 x 20mm) every 12 months of daily use is recommended.
- In case of frequent installations on different locations the state of rubber covers on both discs must be checked and cleaned prior each installation to ensure proper friction with the floor and ceiling.
- Every 3 months of daily use is necessary to clean the lower bearing and bearing bed with a dry cloth to shine, and if necessary, lubricate with a drop of machine oil or grease.

### Disassembling – removing the pole:

- Reverse the installation procedure. When loosening the pole height adjuster be sure you hold the pole to prevent pole falling on side.



## MANUFACTURER:

Vending Marketing d.o.o.  
Maroltova ulica 6  
1000 Ljubljana.

### Contact:

info@lupitpole.com or www.lupitpole.com

## 5. MANUFACTURER AND WARRANTY

### WARRANTY

#### Semi-Professional Use:

Lupit pole warranty covers the original purchaser if the product is in semi-professional use:

- 1 year against possible defects of the pole, bearings, discs and workmanship.

This warranty applies only if the product is in semi-professional use, for example in fitness centers or pole dance schools. The recommended operating time is a maximum of 12 hours per day.

#### Home Fitness Use:

Reebok warranty covers the original purchaser if the product is in home use:

- 1,5 years against defects in material and workmanship.

#### Warranty Terms:

- The warranty period starts at the date the product was purchased (keep your sales receipt in a safe place)
- The warranty applies only to the original purchaser.
- The claim under warranty is limited to rectification.
- All claims under warranty are limited to the fulfilment of the actual loss incurred.
- The damage claim is limited to the amount you have paid for the product.
- Guarantees, e.g. the delivery of replacement parts does not extend the warranty period.
- The warranty for the product expires if the fitness equipment or components have been modified without the consent of Vending Marketing's Lupit Pole team.
- The instructions of the user manual concerning assembly, safety, use and maintenance need to be followed.
- In the case of failure, malfunction or damage in transit, we need a precise description of the fault.
- In the case of an eligible claim under warranty, please contact the specialist dealer you have purchased the product from.
- The provision of warranty service is limited to the country where you have purchased your fitness equipment.

### EXCLUDED FROM WARRANTY ARE:

- Rubber cover parts,
- Damages caused by misuse of the product,
- Damages caused by modifications of the product without the consent of Vending Marketing d.o.o.
- Defects resulting from abuse,
- Insufficient maintenance,
- Third party fault (assembly error, misuse, false assembly/position),
- Defects resulting from improper storage outside the house, e.g. in a garage.

#### Procedure in case of a warranty claim:

- To avoid subsequent damages, please communicate damages in transit, warranty claims and problems immediately after discovery to your specialist dealer.
- The sales receipt and the indication of your correct serial number is a precondition to any warranty action.

The serial number can be found on the sticker underside your product (e.g. LP1234567891011).

#### Please check the lower part of the main pole to find the sticker.

- To guarantee a fast and correct processing in case of a warranty claim, we need a precise description of the defect.
- In the case of difficulties with your equipment, please contact your specialist dealer. Products sent back without the consent of Vending Marketing's Lupit Pole team, will not be accepted. Answers to frequently asked questions you can also find on our homepage: [www.lupitpole.com](http://www.lupitpole.com)
- After consultation with your specialist dealer, you should hand over the damaged product as soon as possible in the original packaging along with the complete description of the defect.
- Damages in transit caused by insufficient packaging (concerning reshipments) are excluded from any warranty and manufacturer's liability.
- After expiry of warranty we can repair and maintain your Lupit Pole product.

By request we can make an estimate of the costs.